



		1	2	3	4	OT	
H	BENETTON GIOCO DIGITALE	81	19	10	18	24	10
V	CHOLET BASKET	80	14	21	23	13	9

ARENA: PALAVERDE

DATE: 05/01/2010

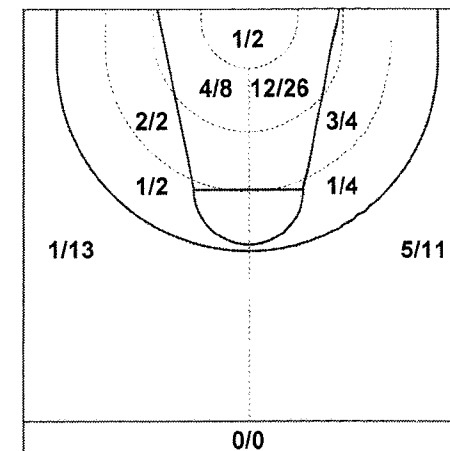
TIME: 20:45

PLAYED: 45:00

ATTENDANCE: 2816

Referees: MARTIN, JOSE [ESP], LEPETIC, NIKOLA [SRB], NESKOVIC, DRAGAN [SRB]

BENETTON GIOCO DIGITALE	Min	Pts	2-Pointers			3-Pointers			Free Throws			Rebounds			Fouls		ST	TO	AS	Blocks		RKG
			M	A	%	M	A	%	M	A	%	D	O	T	CM	DR				F	AG	
4 DE NICOLAO, ANDREA	05:10					0	1	0									1					
5 KUS, DAVOR (*)	39:59		0	1	0	0	3	0	0	2	0	2	1	3	2	5	4	2	4		6	
7 HUKIC, JASMIN	09:23					0	3	0													-3	
8 GRANT, TYRONE	10:43	2	0	1	0				2	2	100	3	4	7	1	2		1			10	
9 RIVERS, KELVIN (*)	35:31	13	3	6	50	2	4	50	1	4	25	1	1	1	4	4	2	2	1		7	
10 NICEVIC, SANDRO (*)	34:17	28	10	15	67				8	10	80	4	1	5	3	6		2	3	1	2	29
11 MOTIEJUNAS, DONATAS	18:15	6	1	3	33	1	1	100	1	3	33	4	1	5	3	4	2	2		1	9	
12 SANDRI, DANIELE	----																					
13 HACKETT, DANIEL	07:39		0	1	0	0	1	0							1	1					-2	
14 NEAL, GARY (*)	37:20	22	5	14	36	3	9	33	3	4	75	6		6	4	3	3	2	1	1	12	
18 WALLACE, C.J. (*)	26:43	10	5	7	71	0	2	0				6	5	11	5	1		2			11	
TEAM	----																					



TEAM COMPARISON	Min	Pts	2-Pointers			3-Pointers			Free Throws			Rebounds			Fouls		ST	TO	AS	Blocks		RKG
			M	A	%	M	A	%	M	A	%	D	O	T	CM	DR				F	AG	
BENETTON GIOCO DIGITALE	225:00	81	24	48	50	6	24	25	15	25	60	26	12	38	23	26	12	12	10	2	3	79
CHOLET BASKET	225:00	80	20	41	49	5	22	23	25	33	76	31	14	45	26	23	9	16	10	3	2	80

STARTERS	Pts	Pts %	Rbs	Rbs %	Min %
BENETTON GIOCC	73	90	26	68	77
CHOLET BASKET	69	86	24	53	67

CHOLET BASKET	Min	Pts	2-Pointers			3-Pointers			Free Throws			Rebounds			Fouls		ST	TO	AS	Blocks		RKG
			M	A	%	M	A	%	M	A	%	D	O	T	CM	DR				F	AG	
5 CAUSEUR, FABIEN (*)	27:32	9	4	6	67	0	2	0	1	1	100	1	4	1	1	1		1		1	4	
6 GELABALE, MICKAEL	26:23	10	3	5	60	0	1	0	4	4	100	4	4	8	2	2	1	3	2		15	
8 EITUTAVICIUS, ARVYDAS (*)	28:16	7	0	1	0	1	4	25	4	4	100	3	3		2	3	1	3	1		6	
9 MEJIA, SAMMY (*)	37:26	26	5	8	63	2	5	40	10	12	83	2	2		1	8	2	1	3	1	32	
12 LEONARD, CHRISTOPHE	----																					
13 SERAPHIN, KEVIN (*)	22:28	6	3	6	50							6	3	9	5		2	1	1	1	7	
14 FALKER, RANDAL	29:02	1	0	5	0				1	4	25	8	4	12	5	4	3	3		1	1	4
15 CHUPIN, MAXIME	----																					
16 LINEHAN, JOHN	16:44					0	4	0				1	1		3	1	1	1			-5	
18 ROBINSON, ANTYWANE (*)	37:09	21	5	10	50	2	6	33	5	8	63	6	3	9	4	4		3	2		17	
20 TATUM, JAMAAL	----																					
TEAM	----																					

